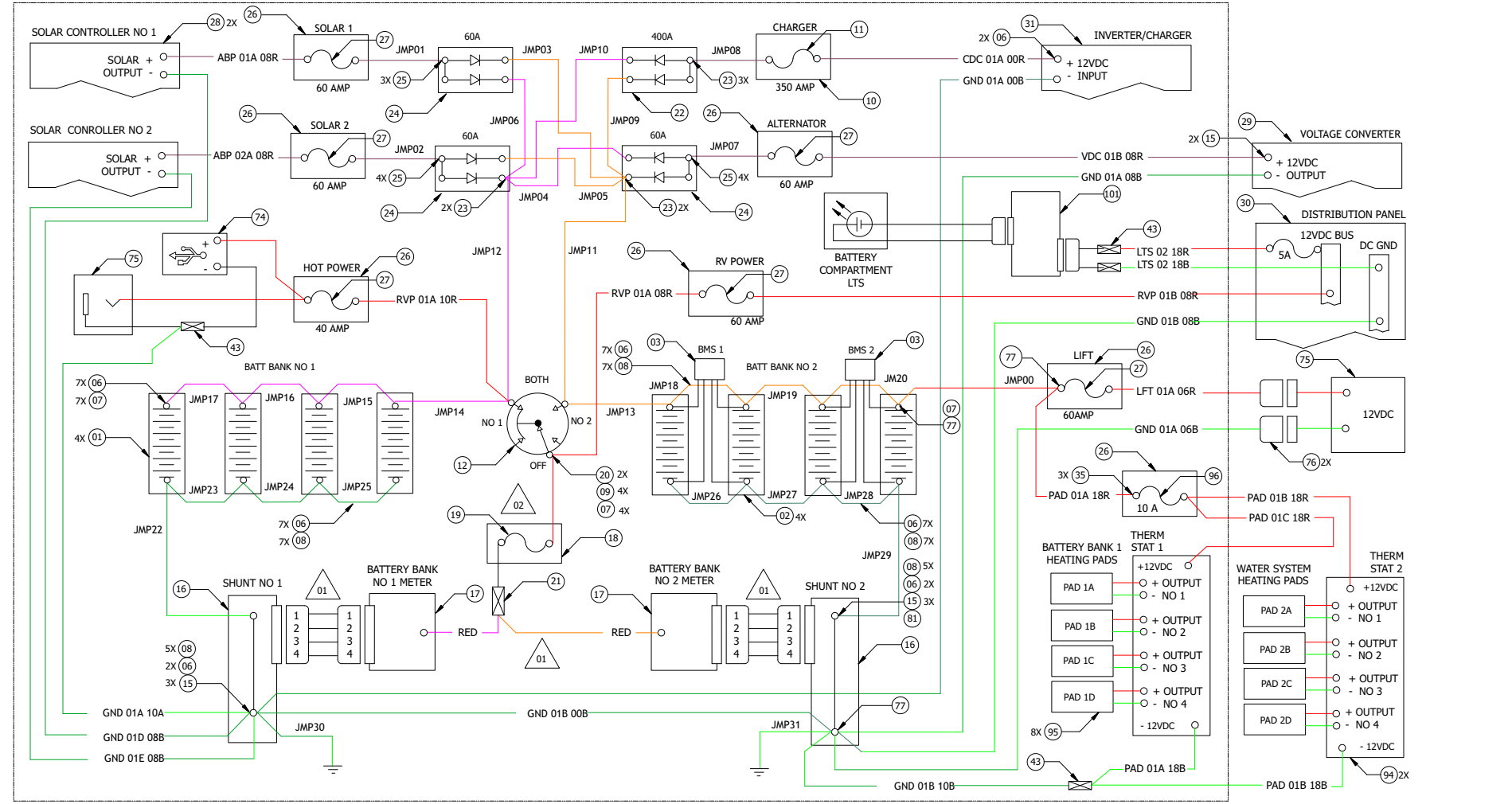


REVISIONS				
ZONE	REV	DESCRIPTION	DATE	APPROVED

BATTERY COMPARTMENT



JUMPERS

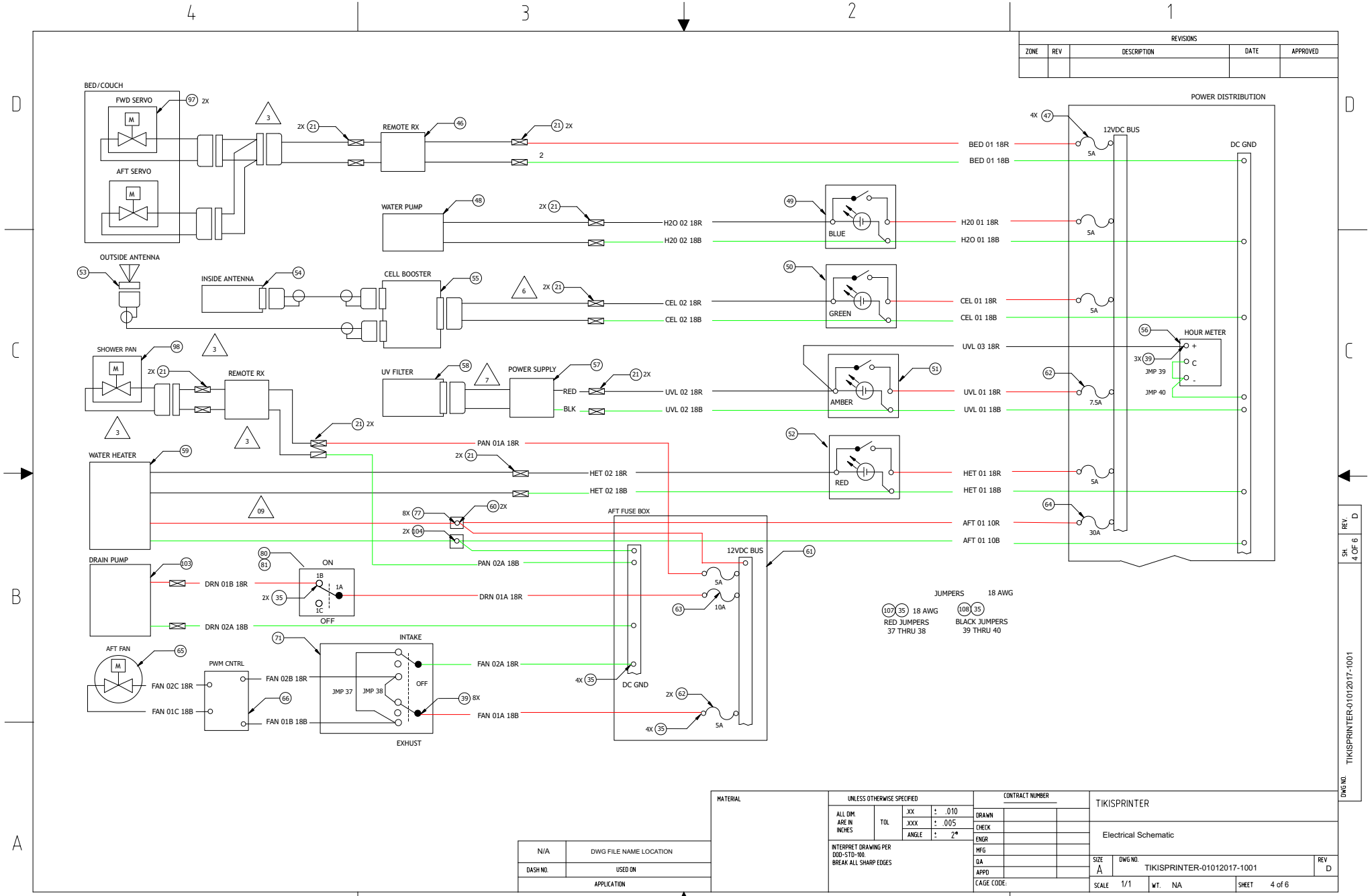
- 06 AWG: 13, 14, 15 (RED JUMPERS 00)
- 08 AWG: 13, 14, 15 (RED JUMPERS 01 THRU 07)
- 00 AWG: 04, 06, 07 (RED JUMPERS 08 THRU 20); 04, 06, 07 (BLACK JUMPERS 22 THRU 31)

N/A	DWG FILE NAME LOCATION
DASH NO.	USED ON
APPLICATION	

MATERIAL	UNLESS OTHERWISE SPECIFIED	CONTRACT NUMBER	TIKISPRINTER
ALL DIM ARE IN INCHES	TOL: .xx : .010; .xxx : .005; ANGLE : 2°	DRAWN	Electrical Schematic
INTERPRET DRAWING PER 000-STD-100. BREAK ALL SHARP EDGES		CHECK	
		ENGR	
		MFG	
		QA	
		APPRO	
		CAGE CODE:	
		SIZE: A	DWG NO: TIKISPRINTER-01012017-1001
		SCALE: 1/1	WT: NA
			SHEET: 2 of 6

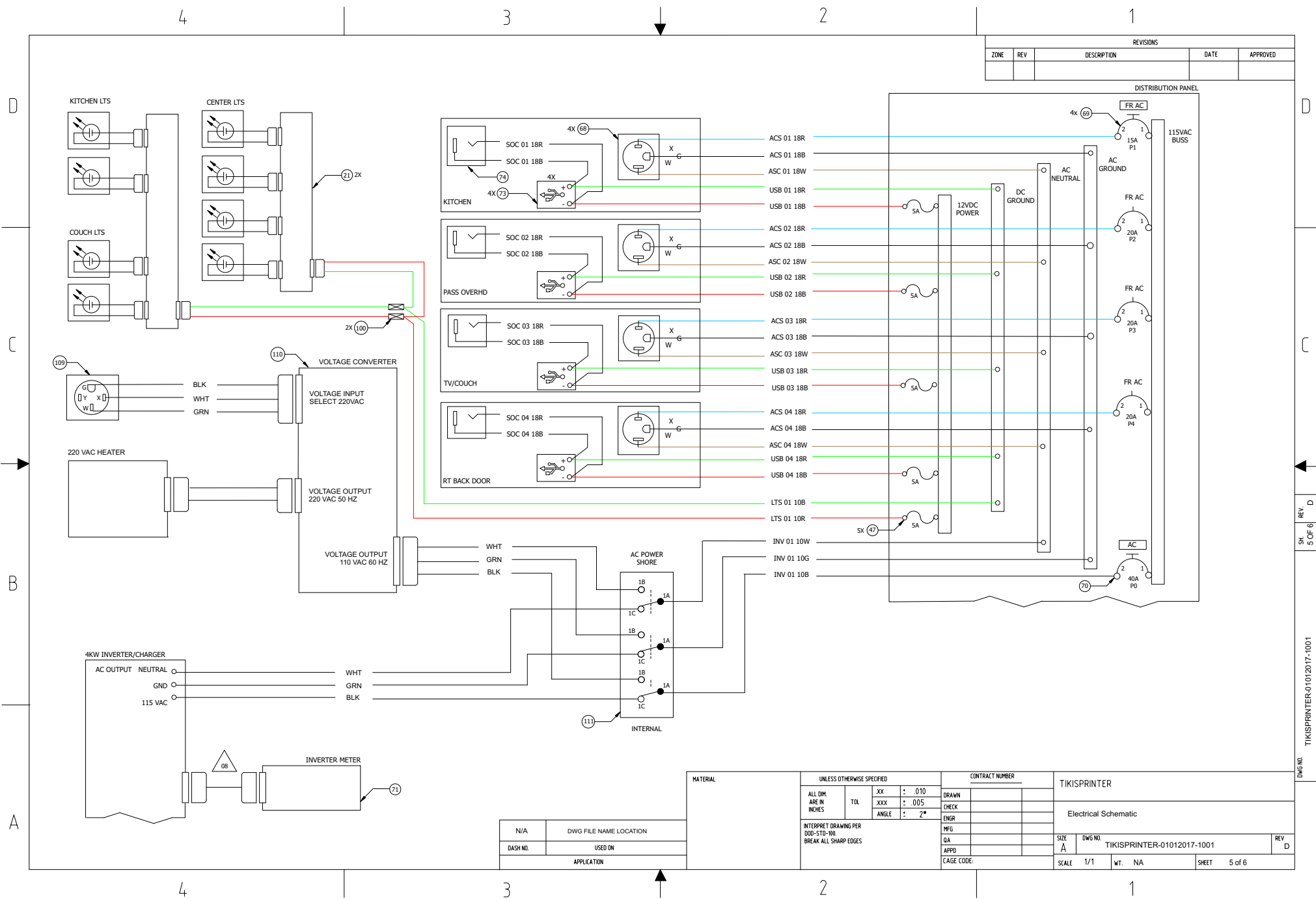
DWG NO: TIKISPRINTER-01012017-1001
 REV: D
 SH: 2 OF 6

REVISIONS				
ZONE	REV	DESCRIPTION	DATE	APPROVED



DWG NO. TIKISPRINTER-01012017-1001 REV. 4 OF 6

REVISIONS				
ZONE	REV	DESCRIPTION	DATE	APPROVED

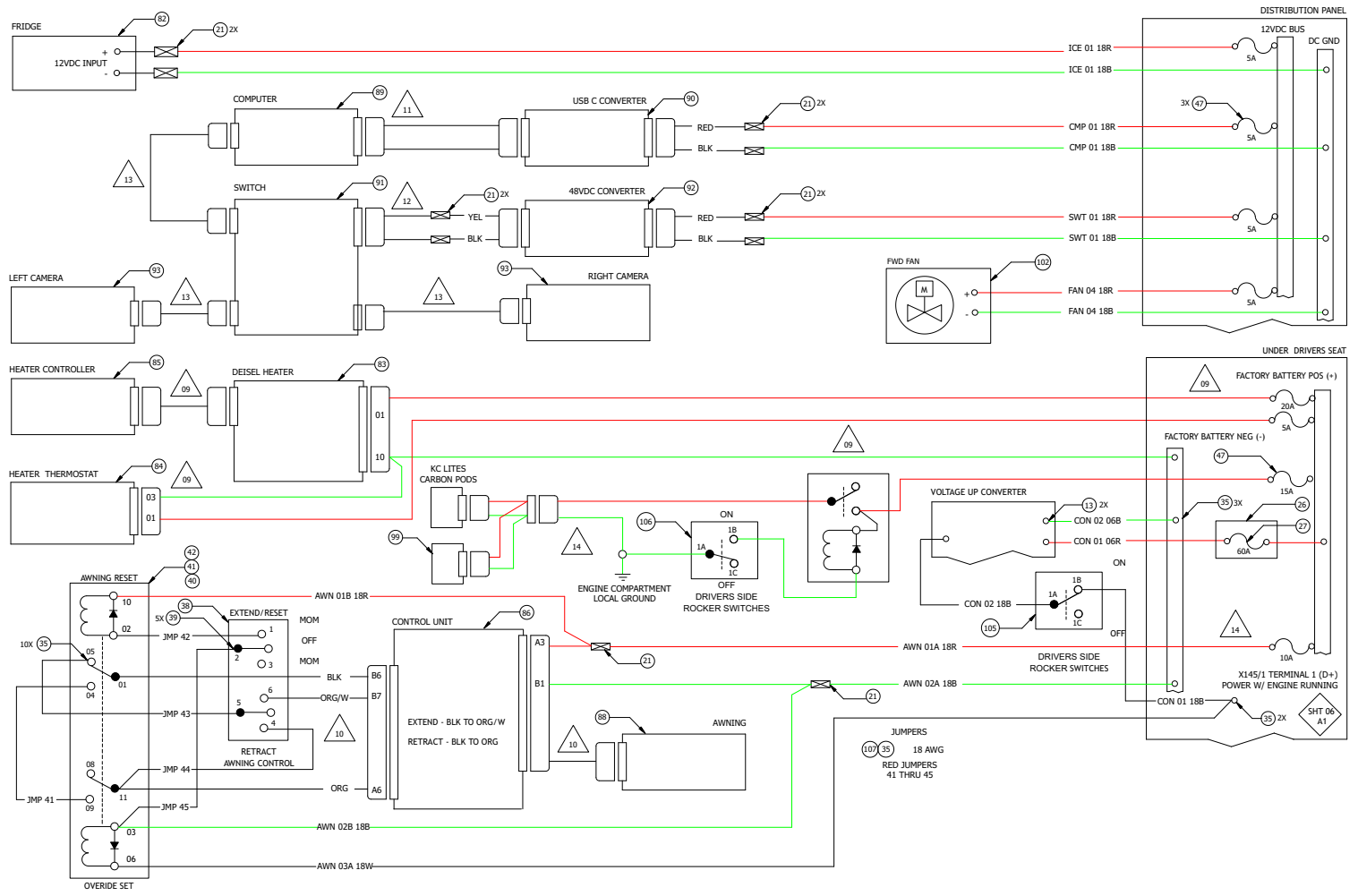


N/A	DWG FILE NAME LOCATION
DASH NO.	USED ON
APPLICATION	

MATERIAL	UNLESS OTHERWISE SPECIFIED			CONTRACT NUMBER		TIKISPRINTER	
	ALL DIM ARE IN INCHES	TOL	.XX : .010 .XXX : .005 ANGLE : 2°	DRAWN			
	INTERPRET DRAWING PER 000-STD-100. BREAK ALL SHARP EDGES			CHECK			
				ENGR			
			MG		Electrical Schematic		
			QA				
			APPD				
			CAGE CODE:		SIZE A	DWG NO. TIKISPRINTER-01012017-1001	REV D
			SCALE 1/1	WT. NA	SHEET 5 of 6		

DWG NO. TIKISPRINTER-01012017-1001

REVISIONS				
ZONE	REV	DESCRIPTION	DATE	APPROVED



N/A	DWG FILE NAME LOCATION
DASH NO.	USED ON
APPLICATION	

MATERIAL	UNLESS OTHERWISE SPECIFIED		CONTRACT NUMBER		TIKISPRINTER		
	ALL DIM ARE IN INCHES	TOL	XX : .010	DRAWN		Electrical Schematic	
INTERPRET DRAWING PER ISO-5725-100 BREAK ALL SHARP EDGES	XXX : .005	CHECK	ENGR	SIZE A	DWG NO. TIKISPRINTER-01012017-1001		REV D
	ANGLE : 2°	ENGR	MFG	SCALE 1/1	WT. NA		SHEET 6 of 6

DWG NO. TIKISPRINTER-01012017-1001

REV. D

SH. 6 OF 6